

Crosby Lifting Clamps



Vertical Clamps

IPU10



The IPU10 vertical lifting clamp is used for the lifting, turning, moving or vertical transfer of sheet, plates, or fabrications from horizontal to vertical and down to horizontal (180°) as needed. The hinged hoisting eye allows for the clamp to place and lift the load from any direction, or with a multiple leg sling with out side-loading the clamp.

Universal - For Lifting in any Direction

- Available in capacities of .5 thru 30 metric tons (Higher Working Load Limits are available upon request).
- Wide variety of jaw openings available: 0 to 156mm.
- Welded alloy steel body for strength and smaller size. Forged alloy components, where required.
- Individually Proof Tested to 2 times the Working Load Limit with certification.
- Company name (IP), logo, Working Load Limit and jaw opening permanently stamped on body.
- Each product is individually serialized, with the serial number and Proof Load test date stamped on body. Serial number is included on the test certificate with maintenance and warranty logbook.
- Available in a variety of styles:
 - IPU10 - Standard clamp for materials with a surface hardness to 37Rc (345 HB)
 - IPU10J - Larger jaw opening.
 - IPU10S - For use with Stainless Steel material.
 - IPU10H - For use with materials with a surface hardness to 47Rc (450 HB).
- Full 180° turning range for material transfer, turning or moving.
- Lock open, lock closed ability with latch for pretension on material and then release of material.
- Optional IP-5000 Stinger assembly available (see page 382). Allows for easy connection between the clamp and hoist hook.
- Minimum WLL of 10% of Maximum WLL.
- Maintenance replacement kits are available.
- Manufactured by a ISO 9001 facility.
- All sizes are RFID EQUIPPED.

IPU10S

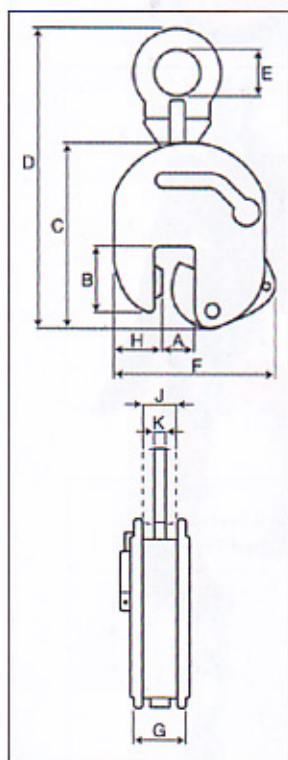


IPU10S : For use on Stainless Steel material.

IPU10H : For use on materials with a surface hardness to 47Rc (450 HB).



Model IPU10



Model	Working Load Limit (t)*	IPU10 Stock No.	Weight Each (kg.)	Dimensions (mm)										
				Jaw A	B	C	D	E	F	G	H	J	K	
IPU10	0.5	2701675	1.91	0 - 16	43.9	128	228	30.2	115	40.9	28.2	-	9.91	
IPU10	1	2701663	2.40	0 - 19	44.5	139	222	30.2	114	41.4	38.1	-	9.91	
IPU10	2	2701677	8.50	0 - 35	78.2	201	372	69.9	190	61.2	55.1	-	16.0	
IPU10	3	2701665	14.8	0 - 40	100	253	445	74.9	225	78.2	59.9	-	19.8	
IPU10	4.5	2701667	16.0	0 - 40	100	253	445	74.9	225	82.0	65.0	-	19.8	
IPU10	6	2701669	24.0	0 - 51	126	302	525	80.3	292	84.1	94.7	43.9	19.8	
IPU10/J	6	2702469	30.8	51 - 99	126	302	525	80.3	342	84.1	94.7	43.9	19.8	
IPU10	9	2701671	29.5	0 - 51	126	325	557	80.5	310	79.5	105	43.9	19.8	
IPU10/J	9	2701673	30.5	51 - 99	126	325	562	80.3	360	79.5	105	43.9	19.8	
IPU10	12	2701679	57.0	0 - 54	160	391	623	80.3	331	117	137	40.9	25.4	
IPU10/J	12	2701681	59.0	54 - 108	178	439	673	80.3	415	117	137	40.9	25.4	
IPU10	16	2701683	78.9	6 - 64	178	465	734	88.1	397	119	153	45.0	25.4	
IPU10/J	16	2701685	92.1	64 - 127	208	521	790	88.1	472	127	161	45.0	25.4	
IPU10	22.5	2701687	127	6 - 80	222	554	855	110	470	136	186	48.8	25.4	
IPU10/J	22.5	2701689	131	80 - 156	253	628	930	110	575	136	196	48.8	25.4	
IPU10	30	2701691	153	6 - 80	221	545	860	110	470	152	183	54.1	30.2	
IPU10/J	30	2701693	165	80 - 156	250	620	935	110	565	152	196	54.1	30.2	
For stainless steel - with universal hoisting eye														
IPU10/S	0.5	2702275	1.91	0 - 16	43.9	128	228	30.2	115	40.9	28.2	-	9.91	
IPU10/S	1	2702263	2.09	0 - 19	44.5	139	222	30.2	114	41.4	38.1	-	9.91	
IPU10/S	2	2702277	7.62	0 - 35	78.2	201	372	69.9	190	61.2	55.1	-	16.0	
IPU10/S	3	2702265	14.8	0 - 40	100	253	445	74.9	225	78.2	59.9	-	19.8	
IPU10/S	4.5	2702267	16.0	0 - 40	100	253	445	74.9	225	82.0	65.0	-	19.8	
IPU10/S	6	2702269	24.0	0 - 51	126	302	525	80.3	292	84.1	94.7	43.9	19.8	
IPU10/S	9	2702271	29.5	0 - 51	126	325	557	80.5	310	79.5	105	43.9	19.8	
IPU10/S	12	2702279	59.0	54 - 108	178	439	673	80.3	415	117	137	40.9	25.4	
For very hard materials - with universal hoisting eye														
IPU10/H	0.5	2702175	1.91	0 - 16	43.9	128	228	30.2	115	40.9	28.2	-	9.91	
IPU10/H	1	2702177	7.62	0 - 35	78.2	201	372	69.9	190	61.2	55.1	-	16.0	
IPU10/H	2	2702185	14.8	0 - 40	100	253	445	74.9	225	78.2	59.9	-	19.8	
IPU10/H	3	2702167	16.0	0 - 40	100	253	445	74.9	225	82.0	65.0	-	19.8	
IPU10/H	4.5	2702169	24.0	0 - 51	126	302	525	80.3	292	84.1	94.7	43.9	19.8	
IPU10/H	6	2702171	29.5	0 - 51	126	325	557	80.5	310	79.5	105	43.9	19.8	

* Ultimate load is 5 times the Working Load Limit.

Vertical Clamps

IP10



The IP10 vertical lifting clamp is used for the lifting, turning, moving or vertical transfer of sheet, plates, or fabrications from horizontal to vertical and down to horizontal (180°) as needed. Usually used as a single point pick or when used with a spreader beam with multiple vertical drop lines.

For Vertical Lifting, Turning and Transfer

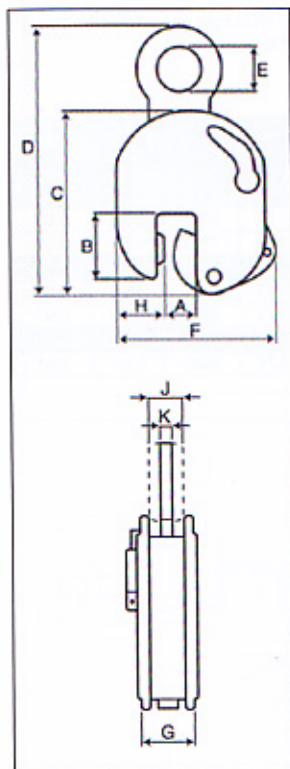
- Available in capacities of .5 thru 30 metric tons (Higher Working Load Limits are available upon request).
- Wide variety of jaw openings available: 0 to 156mm.
- Welded alloy steel body for strength and smaller size. Forged alloy components, where required.
- Individually Proof Tested to 2 times the Working Load Limit with certification.
- Company name (IP), logo, Working Load Limit and jaw opening permanently stamped on body.
- Each product is individually serialized, with the serial number and Proof Load test date stamped on body. Serial number is included on the test certificate with maintenance and warranty logbook.
- Available in a variety of styles:
 - IP10 - Standard clamp for materials with a surface hardness to 37Rc (345 HB).
 - IP10J - Larger jaw opening.
 - IP10S - For use with Stainless Steel material.
 - IP10H - For use with materials with a surface hardness to 47Rc (450 HB).
- Full 180° turning range for material transfer, turning or moving.
- Lock open, lock closed ability with latch for pretension on material and then release of material.
- Optional IP-5000 Stinger assembly available (see page 382). Allows for easy connection between the clamp and hoist hook.
- Minimum WLL of 10% of Maximum WLL.
- Maintenance replacement kits are available.
- Manufactured by a ISO 9001 facility.
- All sizes are **RFID EQUIPPED**.



Model IP10

Model	Working Load Limit (t)*	IP10 Stock No.	Weight Each (kg.)	Dimensions (mm)									
				Jaw A	B	C	D	E	F	G	H	J	K
IP10	0.5	2701674	1.81	0 - 16	43.9	128	207	30.2	115	40.9	28.2	-	9.91
IP10	1	2701662	2.20	0 - 19	44.5	139	215	30.2	114	41.4	38.1	-	9.91
IP10	2	2701676	7.60	0 - 35	78.2	201	336	69.9	190	61.2	55.1	-	16.0
IP10	3	2701664	13.8	0 - 40	100	253	436	74.9	225	78.2	59.9	-	19.8
IP10	4.5	2701666	15.0	0 - 40	100	253	436	74.9	225	82.0	65.0	-	19.8
IP10	6	2701668	23.5	0 - 51	126	302	515	80.3	292	84.1	94.7	40.1	19.8
IP10/J	6	2701705	28.6	51 - 99	126	302	515	80.0	342	84.1	95.0	39.9	19.8
IP10	9	2701670	27.5	0 - 51	126	325	550	80.5	310	79.5	105	43.9	19.8
IP10/J	9	2701672	28.5	51 - 99	126	325	555	80.3	360	79.5	105	43.9	19.8
IP10	12	2701678	49.0	0 - 54	160	391	580	80.3	331	117	137	40.9	25.4
IP10/J	12	2701680	58.1	54 - 108	178	439	630	80.3	415	117	137	40.9	25.4
IP10	16	2701682	68.0	6 - 64	178	465	690	88.1	397	119	153	48.8	25.4
IP10/J	16	2701684	90.7	64 - 127	208	521	746	88.1	472	127	161	48.8	25.4
IP10	22.5	2701686	108	6 - 80	222	554	800	110	470	138	186	48.8	25.4
IP10/J	22.5	2701688	110	80 - 156	253	628	880	110	575	136	196	48.8	25.4
IP10	30	2701690	148	6 - 80	221	545	800	110	470	152	183	54.1	30.2
IP10/J	30	2701692	152	80 - 156	250	620	880	110	565	152	196	54.1	30.2
For stainless steel - with fixed hoisting eye													
IP10/S	0.5	2702274	1.81	0 - 16	43.9	128	207	30.2	115	40.9	28.2	-	9.91
IP10/S	1	2702262	2.00	0 - 19	44.5	139	215	30.2	114	41.4	38.1	-	9.91
IP10/S	2	2702276	6.80	0 - 35	78.2	201	336	69.9	190	61.2	55.1	-	16.0
IP10/S	3	2702264	13.8	0 - 40	100	253	436	74.9	225	78.2	59.9	-	19.8
IP10/S	4.5	2702266	15.0	0 - 40	100	253	436	74.9	225	82.0	65.0	-	19.8
IP10/S	6	2702268	23.5	0 - 51	126	302	515	80.3	292	84.1	94.7	40.1	19.8
IP10/S	9	2702270	27.5	0 - 51	126	325	550	80.5	310	79.5	105	43.9	19.8
IP10/S	12	2702278	49.0	0 - 54	160	391	580	80.3	331	117	137	40.9	25.4
For very hard materials - with fixed hoisting eye													
IP10/H	0.5	2702174	1.81	0 - 16	43.9	128	207	30.2	115	40.9	28.2	-	9.91
IP10/H	1	2702176	6.80	0 - 35	78.2	201	336	69.9	190	61.2	55.1	-	16.0
IP10/H	2	2702164	13.8	0 - 40	100	253	436	74.9	225	78.2	59.9	-	19.8
IP10/H	3	2702166	15.0	0 - 40	100	253	436	74.9	225	82.0	65.0	-	19.8
IP10/H	4.5	2702168	23.5	0 - 51	126	302	515	80.3	292	84.1	94.7	40.1	19.8
IP10/H	6	2702170	27.5	0 - 51	126	325	550	80.5	310	79.5	105	43.9	19.8

* Ultimate load is 5 times the Working Load Limit.



Vertical Clamps

IPNM10



The IPNM10 vertical lifting clamp is used for the lifting, turning, moving or vertical transfer of sheet, plates, or fabrications from horizontal to vertical and down to horizontal (180°) as needed without marring the surface of the material. Materials such as aluminum, stainless steel, painted materials, aircraft skins, composite material, glass, plastic, etc., can be lifted without marring.

Will NOT mar, or scratch the material surface.

For use in almost all sectors of industry where during the lift or transfer, no damage to the material is permitted.

- Available in capacities of .5 and 1 metric tons.
- Jaw openings available: 0 to 37mm.
- Welded alloy steel body for strength and smaller size. Forged alloy components, where required.
- Individually Proof Tested to 2 times the Working Load Limit with certification.
- Company name (IP), logo, Working Load Limit and jaw opening permanently stamped on body.
- Each product is individually serialized, with the serial number and Proof Load test date stamped on body. Serial number is included on the test certificate with maintenance and warranty logbook.
- Full 180° turning range for material transfer, turning or moving.
- Lock open, lock closed ability with latch for pretension on material and then release of material.
- Optional IP-5000 Stinger assembly available (see page 382). Allows for easy connection between the clamp and hoist hook.
- Maintenance replacement kits are available.
- Manufactured by a ISO 9001 facility.
- All sizes are RFID EQUIPPED.

IPNM10P



The IPNM10/P vertical lifting clamp is used for the lifting, turning, moving or vertical transfer of sheet, plates, or fabrications from horizontal to vertical and down to horizontal (180°) as needed without marring the surface of the material. Materials such as aluminum, stainless steel, painted materials, aircraft skins, composite material, glass, plastic, etc., can be lifted without marring. The protective cover reduces the risk of damage to surrounding plates.

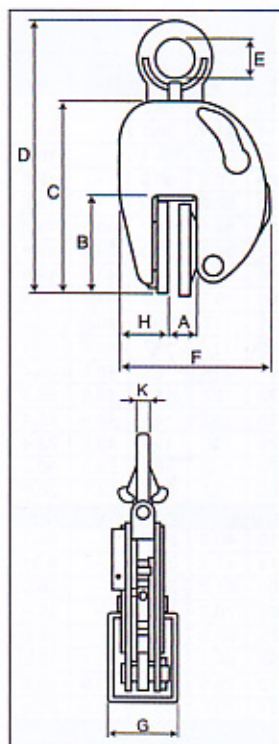
Will NOT mar, or scratch the material surface.



Model IPNM10

Model	Working Load Limit (t)*	IPNM10 Stock No.	Weight Each (kg.)	Dimensions (mm)								
				Jaw A	B	C	D	E	F	G	H	K
IPNM10	0.5	2703276	2.72	0 - 10	73.2	149	245	28.7	114	60.5	25.4	9.65
IPNM10	1	2703277	4.08	0 - 19	98.6	200	302	31.8	152	79.5	38.1	9.65
With protection cap												
IPNM10/P	.5	2703278	3.18	0 - 10	82.0	157	213	30.0	145	68.1	48.0	9.91
IPNM10/P	1	2703279	4.54	0 - 20	97.0	195	268	30.0	205	82.0	59.9	9.91
With larger jaw opening												
IPNM10/J	1	2703312	4.99	20 - 37	85.9	196	265	30.0	177	80.0	51.1	9.91

* Ultimate load is 5 times the Working Load Limit.



Horizontal Clamps

IPHNM10



The IPHNM10 horizontal lifting clamps have a pretension feature that allows the user to attach the clamps to the material for horizontal lifting and transfer of sagging and non-sagging material. To be used where material surface must not be damaged. These clamps must be used in pairs or more.

For Horizontal Lift and Transfer - with Pretension System

- Available in capacities of .5 and 12 metric tons.
- Jaw openings available: 0 to 60mm.
- Welded alloy steel body for strength and smaller size. Forged alloy components, where required.
- Individually Proof Tested to 2 times the Working Load Limit with certification.
- Company name (IP), logo, Working Load Limit and jaw opening permanently stamped on body.
- Each product is individually serialized, with the serial number and Proof Load test date stamped on body. Serial number is included on the test certificate with maintenance and warranty logbook.
- Maintenance replacement parts are available.
- Manufactured by a ISO 9001 facility.
- All sizes are RFID EQUIPPED.



IPH10

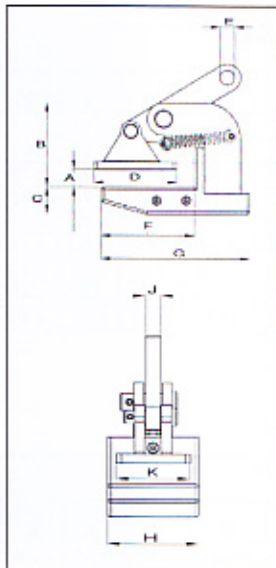


The IPH10 horizontal lifting clamps with spring loaded tension have a pretension feature that allows the user to attach the clamps to the material for horizontal lifting and transfer of sagging and non-sagging material. These clamps must be used in pairs or more.

Model IPHNM10

Model	Working Load Limit (Per Pair) (t)*	IPHNM10 Stock No.	Weight Each (kg.)	Dimensions (mm)									
				Jaw A	B	C	D	E	F	G	H	J	K
IPHNM10	.5	2703287	2.27	0 - 20	81.0	21.8	82.0	16.0	101	160	73.9	11.9	59.9
IPHNM10	1	2703288	2.95	0 - 35	93.0	30.0	91.9	16.0	103	164	73.9	11.9	59.9
IPHNM10	2	2703290	7.50	0 - 30	139	30.0	131	22.0	166	245	100	20.0	74.0
IPHNM10	2	2703291	8.00	0 - 60	169	30.0	131	22.0	166	245	100	20.0	74.0

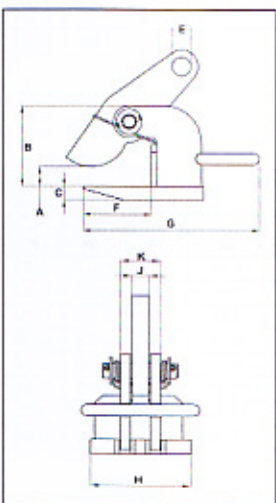
* Ultimate load is 5 times the Working Load Limit.



Model IPH10: with Spring Loaded Tension, Magnets and Handle

Model	Working Load Limit (Per Pair) (t)*	IPH10 Stock No.	Weight Each (kg.)	Dimensions (mm)									
				Jaw A	B	C	E	F	G	H	J	K	
IPH10+	.5	2703297	2.04	0 - 20	85.9	11.9	16.0	103	150	59.9	11.9	26.9	
IPH10+	1	2703298	2.83	0 - 35	100	16.0	16.0	103	150	59.9	11.9	31.0	
IPH10	2	2703522	5.50	0 - 60	117	16.0	22.0	109	256	110	20.0	40.0	
IPH10	3	2703523	7.50	0 - 60	117	20.0	26.0	109	266	120	20.0	48.0	
IPH10	4.5	2703524	10.5	0 - 60	132	25.0	30.0	104	280	130	20.0	48.0	
IPH10	6	2703525	13.0	0 - 60	143	25.0	36.0	123	320	130	20.0	48.0	
IPH10	9	2703526	18.5	0 - 60	157	30.0	43.0	133	330	140	25.0	62.0	
IPH10	12	2703527	21.5	0 - 60	172	30.0	47.0	141	353	150	25.0	62.0	

* Ultimate load is 5 times the Working Load Limit. + No handle



Horizontal Clamps

IPHTONZ



The IPHTONZ / IPHSZ horizontal lifting clamps are for use in the lifting and transfer in horizontal position of non-sagging materials or of bundles of non-sagging material. These clamps must be used in pairs or more.

For Horizontal Lifting and Transfer

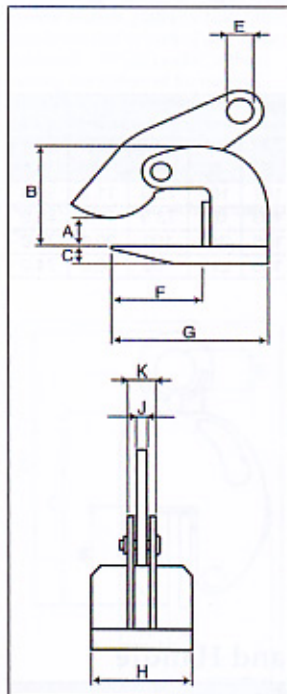
- Available in capacities of .75 thru 25 metric tons.
- Wide variety of jaw openings available: 0" to 4".
- Welded alloy steel body for strength and smaller size. Forged alloy components, where required.
- Individually Proof Tested to 2 times the Working Load Limit with certification.
- Company name (IP), logo, Working Load Limit and jaw opening permanently stamped on body.
- Each product is individually serialized, with the serial number and Proof Load test date stamped on body. Serial number is included on the test certificate with maintenance and warranty logbook.
- Maintenance replacement parts are available.
- Manufactured by a ISO 9001 facility.
- All sizes are RFID EQUIPPED.



IPHOZ



The IPHOZ horizontal lifting clamp is to be used for lifting and transferring, in the horizontal position, of thin sheet and other materials that will sag or bend when lifted. These clamps must be used in pairs or more.



Model IPHTONZ: Jaw opening range 0 to 2-3/8"

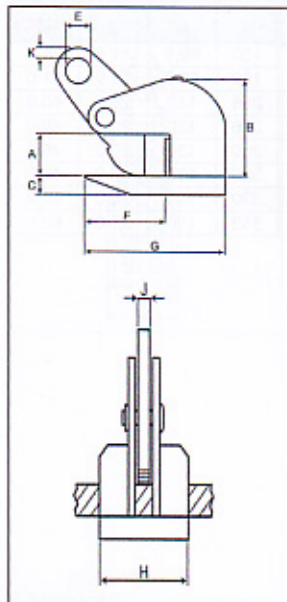
Model	Working Load Limit (Per Pair) (t)*	IPHTONZ Stock No.	Weight Each (lbs.)	Dimensions (in.)								
				Jaw A	B	C	E	F	G	H	J	K
IPHTONZ	0.75	2705343	5.00	0 - 1.18	2.95	0.63	0.63	2.52	4.64	3.19	0.47	1.81
IPHTONZ	1.5	2705344	10.0	0 - 2.38	4.80	0.63	0.86	3.86	6.03	4.33	0.63	2.05
IPHTONZ	3	2705477	15.0	0 - 2.38	4.61	0.78	1.03	3.86	6.42	4.72	0.78	2.72
IPHTONZ	4.5	2705483	20.0	0 - 2.38	5.20	0.98	1.19	3.89	7.20	5.13	0.78	2.72
IPHTONZ	6	2705484	24.5	0 - 2.38	5.20	1.00	1.42	4.25	8.39	5.13	0.78	2.72
IPHTONZ	9	2705485	34.5	0 - 2.38	6.19	1.19	1.69	4.64	8.78	5.52	1.00	3.41
IPHTONZ	12	2705486	42.0	0 - 2.38	6.77	1.19	1.84	5.28	10.00	5.91	1.00	3.47
IPHTONZ	15	2705487	51.0	0 - 2.38	7.81	1.19	1.84	5.67	11.19	7.88	1.00	3.47
IPHTONZ	25	2705119	86.0	0 - 2.38	6.66	1.58	1.84	6.69	11.81	8.66	1.27	4.45

* Ultimate load is 5 times the Working Load Limit.

Model IPHSZ : Jaw opening range 0 to 4"

Model	Working Load Limit (Per Pair) (t)*	IPHSZ Stock No.	Weight Each (lbs.)	Dimensions (in.)								
				Jaw A	B	C	E	F	G	H	J	K
IPHSZ	3	2705308	24.5	0 - 4.00	7.56	0.78	1.03	6.30	8.73	5.52	0.78	2.56
IPHSZ	6	2705311	36.5	0 - 4.00	7.88	1.00	1.27	6.30	9.80	7.09	0.78	2.72
IPHSZ	9	2705313	53.0	0 - 4.00	8.66	1.19	1.38	6.69	10.63	7.48	1.00	2.34
IPHSZ	12	2705318	64.0	0 - 4.00	8.66	1.38	1.84	6.69	10.63	7.88	1.00	2.73

* Ultimate load is 5 times the Working Load Limit.



Model IPHOZ: Jaw opening range 0 to 2-3/8"

Model	Working Load Limit (Per Pair) (t)*	IPHOZ Stock No.	Weight Each (lbs.)	Dimensions (in.)								
				Jaw A	B	C	E	F	G	H	J	K
IPHOZ	0.75	2705401	6.50	0 - 1.18	3.53	0.63	0.63	2.75	4.64	3.19	0.47	0.47
IPHOZ	1.5	2705402	12.0	0 - 1.75	5.23	0.63	0.86	4.92	7.56	3.94	0.63	0.47
IPHOZ	3	2705403	17.5	0 - 1.75	5.39	0.78	1.03	4.92	7.88	4.72	0.78	0.39
IPHOZ	4.5	2705404	19.0	0 - 1.75	5.44	0.98	1.19	4.95	8.66	4.72	0.78	0.39
IPHOZ	6	2705405	31.5	0 - 2.38	6.73	1.19	1.42	5.31	9.25	5.13	0.78	0.78
IPHOZ	9	2705406	46.5	0 - 2.38	8.31	1.19	1.69	6.53	10.86	6.30	1.00	0.78
IPHOZ	12	2705407	47.5	0 - 2.38	8.55	1.58	1.84	6.61	11.58	7.48	1.00	0.75
IPHOZ	15	2705408	83.5	0 - 2.38	8.66	1.58	1.84	7.20	12.48	9.84	1.00	0.86

* Ultimate load is 5 times the Working Load Limit.

Horizontal Clamps

IPBC



The IPBC horizontal lifting clamps have a pretension feature that allows the user to attach the clamps to the material for horizontal lifting and transfer of sagging and non-sagging material. These clamps may also be used to handle material that will be used in shears, bending and rolling machines or other fabrication equipment. May also be used for turning beams from the "H" into the "T" position.

For Horizontal Transfer - with Pretension System

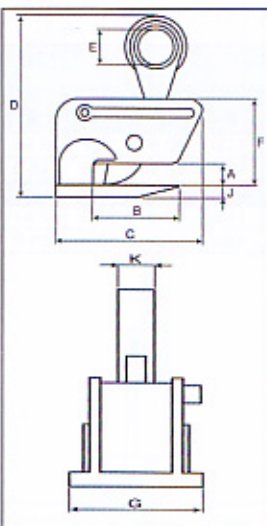
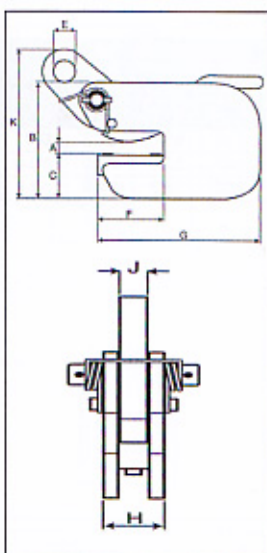
- Available in capacities of 1 thru 4.5 metric tons.
- Jaw openings available: 0 to 40mm.
- Welded alloy steel body for strength and smaller size. Forged alloy components, where required.
- Individually Proof Tested to 2 times the Working Load Limit with certification.
- Company name (IP), logo, Working Load Limit and jaw opening permanently stamped on body.
- Each product is individually serialized, with the serial number and Proof Load test date stamped on body. Serial number is included on the test certificate with maintenance and warranty logbook.
- Maintenance replacement parts are available.
- Manufactured by a ISO 9001 facility.
- All sizes are RFID EQUIPPED.



IPHGUZ



The IPHGZ, IPHGUZ horizontal lifting clamps have a pretension locking feature that allows the user to attach the clamps to the material for horizontal lifting and transfer of sagging and non-sagging material. These clamps may also be used to handle material that will be used in shears, bending and rolling machines or other fabrication equipment. May also be used to move and lift structural shapes such as I-Beams, H-beams etc.



Model IPBC

Model	Working Load Limit (t)*	IPBC Stock No.	Weight Each (kg.)	Dimensions (mm)									
				Jaw A	B	C	D	E	F	G	H	J	K
IPBC	1	2700410	3.63	0 - 19	132	52.1	190	26.2	74.9	135	36.1	16.0	182
IPBC	2	2700411	6.35	0 - 25	152	62.0	207	30.2	82.0	152	48.8	19.8	218
IPBC	3	2700412	8.62	0 - 25	117	66.0	-	30.0	82.0	210	56.9	19.8	218

* Ultimate load is 5 times the Working Load Limit.

Model IPHGUZ: Universal Lifting Eye Model IPHGZ : Fixed Hoisting Eye

Model	Working Load Limit (t)*	Stock No.	Weight Each (kg.)	Dimensions (mm)								
				Jaw A	B	D	E	F	G	H	J	K
IPHGUZ	1.5	2705455	8.16	0 - 25	110	287	69.9	139	90.2	-	19.8	16.0
IPHGUZ	3.0	2705457	19.9	0 - 40	119	348	75.0	175	120	-	25.0	20.0
IPHGUZ	4.5	2705459	30.0	0 - 40	119	370	80.0	175	155	-	30.0	44.0
Fixed Hoisting Eye												
IPHGZ	.75	2705451	3.63	0 - 25	82.0	206	50.0	98.8	98.0	-	11.9	21.8
IPHGZ	1.5	2705452	7.26	0 - 25	110	250	50.0	118	90.2	-	19.8	2.79
IPHGZ	3.0	2705453	12.3	0 - 40	120	305	69.9	148	120	-	25.4	32.3
IPHGZ	4.5	2705454	20.9	0 - 40	120	381	69.9	181	155	-	30.2	40.1

* Ultimate load is 5 times the Working Load Limit.

Beam Clamps

IPBKZ



The IPBKZ beam clamp is used for lifting, transfer and stacking of I-Beams. An over-center hoist eye allows for the beam flange to remain vertical. This series of clamps can be used in the vertical and horizontal moving, transfer and stacking of different types of structural designs, such as I-Beams, angles, etc, depending on the application desired.

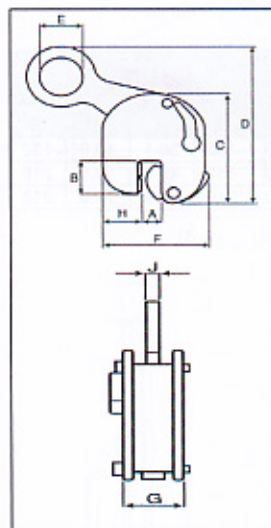
For the Transfer and Stacking of Steel Beams

- Available in capacities of .75 thru 3.75 metric tons.
- Wide variety of jaw openings available: 0 to 29mm.
- Welded alloy steel body for strength and smaller size. Forged alloy components, where required.
- Individually Proof Tested to 2 times the Working Load Limit with certification.
- Company name (IP), logo, Working Load Limit and jaw opening permanently stamped on body.
- Each product is individually serialized, with the serial number and Proof Load test date stamped on body. Serial number is included on the test certificate with maintenance and warranty logbook.
- Optional IP-5000 Stinger assembly available (see page 382). Allows for easy connection between the clamp and hoist hook.
- Minimum WLL of 10% of Maximum WLL.
- Maintenance replacement parts are available.
- Manufactured by a ISO 9001 facility.
- All sizes are RFID EQUIPPED.

IPVUZ



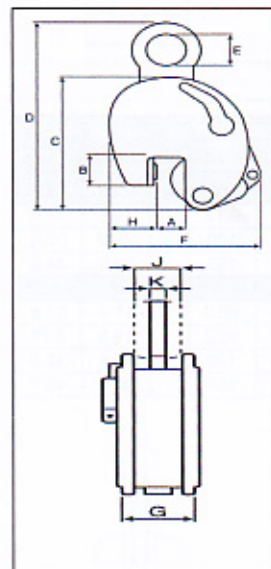
The IPVZ / IPVUZ beam clamp is used for vertical lift and transfer of angle iron and other loads that have only a small gripping area for the clamp ("U" has universal hoisting eye). This series of clamps can be used in the vertical and horizontal moving, transfer and stacking of different types of structural designs, such as I-Beams, H-beams, angles, etc, depending on the application desired.



Model IPBKZ

Model	Working Load Limit (t)*	IPBKZ Stock No.	Weight Each (kg.)	Dimensions (mm)								
				Jaw A	B	C	D	E	F	G	H	J
IPBKZ	0.75	2705780	3.18	5 - 16	29.7	132	192	45.0	113	46.7	37.3	9.91
IPBKZ	1.5	2705781	6.80	5 - 25	62.0	210	300	69.9	163	53.6	50.0	16.0
IPBKZ	3.75	2705782	15.9	5 - 29	74.9	260	415	100	202	78.2	57.9	19.8

* Ultimate load is 5 times the Working Load Limit.



Model IPVUZ: Universal Hoisting Eye Model IPVZ : Fixed Hoisting Eye

Model	Working Load Limit (t)*	Stock No.	Weight Each (kg.)	Dimensions (mm)								
				Jaw A	B	C	D	E	F	G	H	K
IPVUZ	0.75	2705146	1.81	0 - 16	26.2	128	229	30.2	115	40.9	30.2	9.91
IPVUZ	1.5	2705147	7.26	0 - 19	60.5	203	376	69.9	180	52.1	50.8	16.0
Fixed Hoisting Eye												
IPVZ	0.75	2705096	1.81	0 - 16	26.2	128	207	30.2	115	40.9	30.2	9.91
IPVZ	1.5	2705097	5.90	0 - 19	60.5	200	339	69.9	180	52.1	50.8	16.0

* Ultimate load is 5 times the Working Load Limit.

Beam Clamps

IPBHZ



The IPBHZ beam clamp is used for horizontal lifting and transfer of steel beams. The base is slotted to allow the clamps to be used from end of beams as well as from the flange. This series of clamps can be used in the vertical and horizontal moving, transfer and stacking of different types of structural designs, such as I-Beams, H-beams, angles, etc, depending on the application desired.

For the Lifting and Transfer of Steel Beams

- Available in capacities of .75 thru 4.5 metric tons.
- Wide variety of jaw openings available: 0 to 51mm.
- Welded alloy steel body for strength and smaller size. Forged alloy components, where required.
- Individually Proof Tested to 2 times the Working Load Limit with certification.
- Company name (IP), logo, Working Load Limit and jaw opening permanently stamped on body.
- Each product is individually serialized, with the serial number and Proof Load test date stamped on body. Serial number is included on the test certificate with maintenance and warranty logbook.
- Maintenance replacement parts are available.
- Manufactured by a ISO 9001 facility.
- All sizes are RFID EQUIPPED.

IPBSNZ



The IPBSNZ beam clamp is used for lifting, transfer and stacking. Offset hoisting eye allows for level lifts of I-Beams, also for lifting fabrications and ship sections. This series of clamps can be used in the vertical and horizontal moving, transfer and stacking of different types of structural designs, such as I-Beams, depending on the application desired.



Model IPBHZ

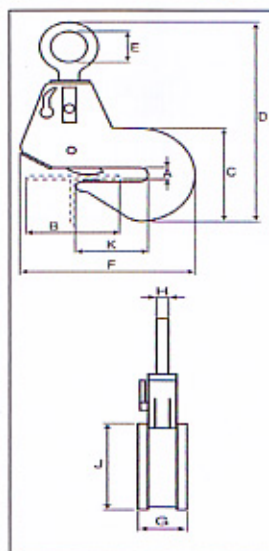
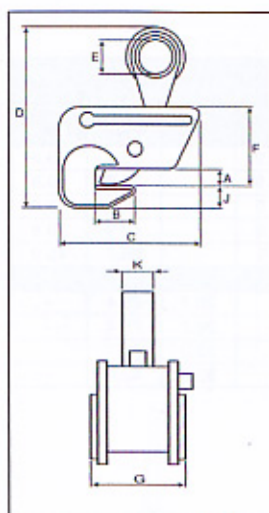
Model	Working Load Limit (t)*	IPBHZ Stock No.	Weight Each (kg.)	Dimensions (mm)								
				Jaw A	B	C	D	E	F	G	J	K
IPBHZ	0.75	2705461	3.18	0 - 25	40.1	148	220	50.0	130	69.1	33.0	30.2
IPBHZ	1.5	2705462	5.90	0 - 25	59.9	200	255	50.0	153	73.2	35.1	50.8
IPBHZ	3	2705463	10.9	0 - 40	80.0	227	325	69.9	181	112	38.1	-
IPBHZ	4.5	2705464	20.9	0 - 40	112	284	413	69.9	251	116	80.3	-

* Ultimate load is 5 times the Working Load Limit.

Model IPBSNZ

Model	Working Load Limit (t)*	IPBSNZ Stock No.	Weight Each (kg.)	Dimensions (mm)									
				Jaw A	B	C	D	E	F	G	H	J	K
IPBSNZ	1.5	2705925	14.1	0 - 32	101-270	304	480	69.9	319	46.7	16.0	165	148
IPBSNZ	3	2705926	21.8	0 - 40	101-306	352	494	74.9	424	55.9	19.8	207	182
IPBSNZ	4.5	2705927	30.4	0 - 51	101-360	420	630	74.9	457	56.6	19.8	250	188

* Ultimate load is 5 times the Working Load Limit.



Beam Clamps

IPTK

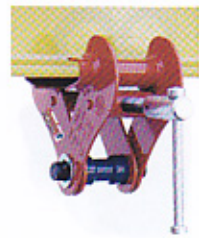


This IPTK series beam clamp is suitable for use as a temporary tackle eye for a beam.

For the Transfer of Steel Beams and Attachment of Tackle Eye

- Available in capacities of 2 thru 25 metric tons.
- Wide variety of jaw openings available: 76 to 1016mm.
- Welded alloy steel body for strength and smaller size. Forged alloy components, where required.
- Individually Proof Tested to 2 times the Working Load Limit with certification.
- Company name (IP), logo, Working Load Limit and jaw opening permanently stamped on body.
- Each product is individually serialized, with the serial number and Proof Load test date stamped on body. Serial number is included on the test certificate with maintenance and warranty logbook.
- Maintenance replacement parts are available.
- Manufactured by a ISO 9001 facility.
- All sizes are RFID EQUIPPED.

IPTKW



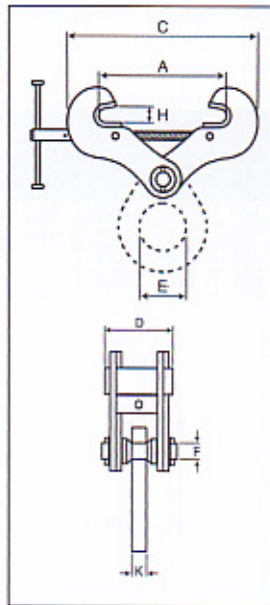
This IPTKW series beam clamp is suitable for use as a temporary tackle eye for a beam.



Model IPTK: with Hoisting Eye Model IPTKW: without Hoisting Eye

Model	Working Load Limit (t)*	Stock No.	Weight Each (kg.)	Dimensions (mm)						
				Jaw A	C	D	E	F	H	K
IPTK	2	2700996	5.90	76 - 191	A + 80.3	125	74.9	-	25.4	19.8
IPTK	3	2700997	6.80	76 - 191	A + 80.3	125	74.9	-	25.4	19.8
IPTK	4	2700998	8.62	149 - 284	A + 100	125	74.9	-	35.1	19.8
IPTK	5	2700994	11.3	121 - 348	A + 196	125	74.9	-	42.9	19.8
IPTK	25	2702999	225	457 - 1016	A + 220	500	125	-	75.7	45.0
Without Hoisting Eye										
IPTKW	2	2700966	4.08	76 - 191	A + 80.3	125	-	28.2	25.4	-
IPTKW	3	2700967	4.54	76 - 191	A + 80.3	125	-	28.2	25.4	-
IPTKW	4	2700968	6.35	149 - 284	A + 84.6	125	-	33.0	35.1	-
IPTKW	5	2700969	8.62	121 - 348	A + 93.2	125	-	33.0	42.9	-

* Ultimate load is 5 times the Working Load Limit.



Beam Clamps

IPSTARTEC11



The IPSTARTEC11 beam clamp has been specially developed for lifting with the body in vertical position, controlled tilting, transportation and stacking of steel "H" and "T" profiles. By placing the chain guide in the appropriate position, it is easy to switch from lifting to tilting and back again, which shifts the center of gravity.

Model IPSTARTEC11 For the Lifting and Transfer of Steel Beams

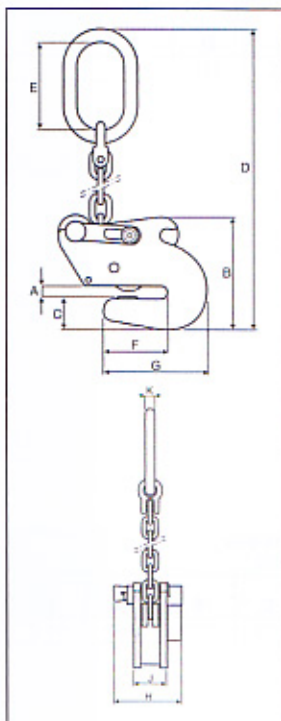
- Available in capacities of 1.5 and 2.5 metric tons.
- Jaw openings available: 6 to 20mm.
- Welded alloy steel body for strength and smaller size. Forged alloy components, where required.
- Individually Proof Tested to 2 times the Working Load Limit with certification.
- Company name (IP), logo, Working Load Limit and jaw opening permanently stamped on body.
- Each product is individually serialized, with the serial number and Proof Load test date stamped on body. Serial number is included on the test certificate with maintenance and warranty logbook.
- Maintenance replacement parts are available.
- Manufactured by a ISO 9001 facility.
- All sizes are RFID EQUIPPED.



Model IPSTARTEC11

Model	Working Load Limit (t)	IPSTARTEC11 Stock No.	Weight Each (kg.)	Dimensions (mm)										
				Jaw A	B	C	D	E	F	G	H	J	K	
IPSTARTEC11	1.5	2701812	6.80	6 - 12	140	38.9	575	110	80.8	129	53.8	126	16.0	
IPSTARTEC11	2.5	2701822	15.0	6 - 20	210	54.9	725	135	115	182	73.9	140	18.0	

* Ultimate load is 5 times the Working Load Limit.



Drum Clamps

IPDV



The IPDV drum clamp is for vertical lift and transfer. Allows drum to remain in an upright position during the lift and transfer using one clamp.

Designed to lift, move and transfer 50-55 gallon drums with steel tops.

- Available in capacity of .5 metric tons.
- Jaw openings available: IPDV - 305mm IPVK - 16.0mm
- Welded alloy steel body for strength and smaller size. Forged alloy components, where required.
- Individually Proof Tested to 2 times the Working Load Limit with certification.
- Company name (IP), logo, Working Load Limit and jaw opening permanently stamped on body.
- Each product is individually serialized, with the serial number and Proof Load test date stamped on body. Serial number is included on the test certificate with maintenance and warranty logbook.
- Maintenance replacement parts are available.
- Manufactured by a ISO 9001 facility.
- IPDV is RFID EQUIPPED.

IPVK



The IPVK drum clamp is for vertical lift and transfer. Automatically locks on drum, and can be used alone or in pairs.



Model IPDV

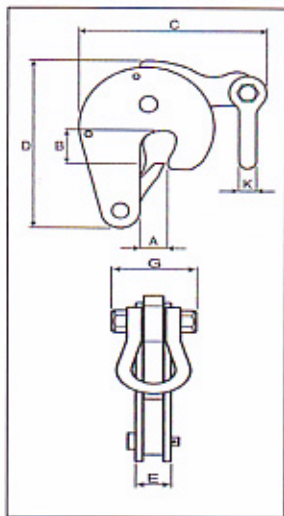
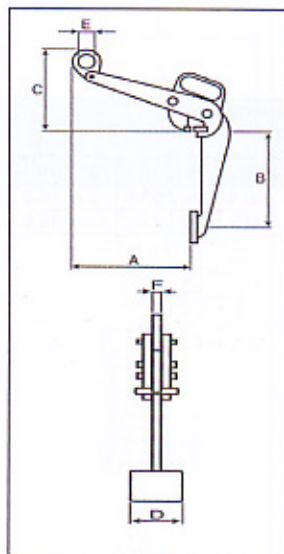
Model	Working Load Limit (t)*	IPDV Stock No.	Weight Each (kg.)	Dimensions (mm)					
				Jaw A	B	C	D	E	F
IPDV	0.5	2700118	6.80	305	375	290	151	50.0	11.9

* Ultimate load is 5 times the Working Load Limit.

Model IPVK

Model	Working Load Limit (t)*	IPVK Stock No.	Weight Each (kg.)	Dimensions (mm)						
				Jaw A	B	C	D	E	G	K
IPVK	0.5	2700116	1.81	16.0	26.2	135	132	29.0	51.3	11.2

* Ultimate load is 5 times the Working Load Limit.



Shipbuilding Clamps: Bulbprofiles

IPBUZ



The IPBUZ shipbuilding clamps are used for the lifting, transfer and placing of bulb profiles onto ship's hulls perpendicularly. These clamps are fitted with a locking device for both open and closed positions, which ensures complete reliability. They are to be used exclusively for bulb profiles (not for plates).

For the lifting, transfer and placing of Bulb Profiles onto Ship's Hulls Perpendicularly.

- Available in capacities of .75 thru 3.75 metric tons.
- Jaw openings available: HP 120mm to HP 430mm.
- Welded alloy steel body for strength and smaller size. Forged alloy components, where required.
- Individually Proof Tested to 2 times the Working Load Limit with certification.
- Company name (IP), logo, Working Load Limit and jaw opening permanently stamped on body.
- Each product is individually serialized, with the serial number and Proof Load test date stamped on body. Serial number is included on the test certificate with maintenance and warranty logbook.
- Optional IP-5000 Stinger assembly available (see page 382). Allows for easy connection between the clamp and hoist hook.
- Maintenance replacement parts are available.
- Manufactured by a ISO 9001 facility.
- All sizes are RFID EQUIPPED.

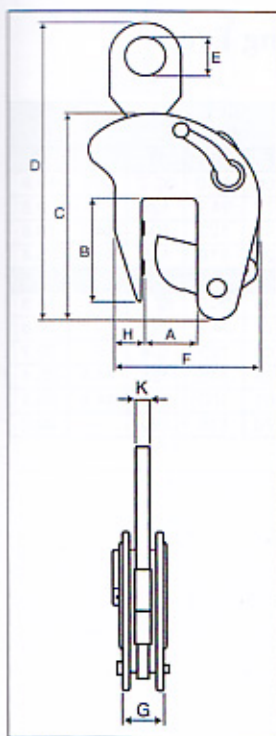


Model IPBUUZ: with Universal Hoisting Eye

Model IPBUZ: with Fixed Hoisting Eye

Model	Working Load Limit (t)*	Stock No.	Weight Each (kg.)	Dimensions (mm)								
				Jaw A	B	C	D	E	F	G	H	K
IPBUUZ	.75	2705601	8.62	HP 120-200	84.9	226	390	69.9	210	61.1	69.9	16.0
With fixed hoisting eye												
IPBUZ	.75	2705600	7.26	HP 120-200	84.9	226	390	69.9	210	61.1	69.9	16.0
IPBUZ	1.5	2705701	15.4	HP 220-430	196	397	568	69.9	256	69.1	48.0	16.0
IPBUZ	3.75	2705702	28.6	HP 220-430	223	438	578	69.9	355	80.2	110	19.8

* Ultimate load is 5 times the Working Load Limit.



Shipbuilding Clamps: Shipsections

IPSBU(U)Z



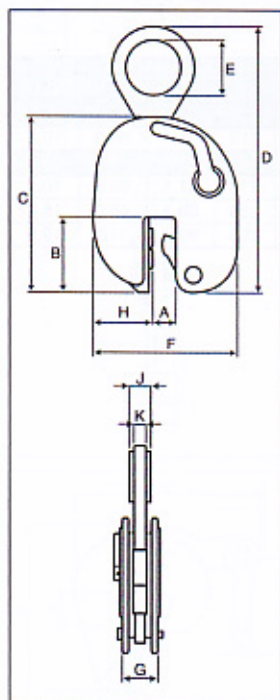
For the lifting, transfer and placing of Complete Shipsections.

- Available in capacities of 4.5 thru 22.50 metric tons.
- Wide variety of jaw openings available: HP 100mm to HP 430mm.
- Welded alloy steel body for strength and smaller size. Forged alloy components, where required.
- Individually Proof Tested to 2 times the Working Load Limit with certification.
- Company name (IP), logo, Working Load Limit and jaw opening permanently stamped on body.
- Each product is individually serialized, with the serial number and Proof Load test date stamped on body. Serial number is included on the test certificate with maintenance and warranty logbook.
- Optional IP-5000 Stinger assembly available (see page 382). Allows for easy connection between the clamp and hoist hook.
- Maintenance replacement parts are available.
- Manufactured by a ISO 9001 facility.
- All sizes are **RFID EQUIPPED**.

The IPSBU(U)Z shipbuilding clamps are used for the lifting, transfer and placing of complete shipsections. These clamps are fitted with a locking device for both open and closed positions, which ensures complete reliability. They are to be used exclusively for bulb profiles (not for plates).



Model IPSBUUZ & IPSBUSUZ: with Universal Hoisting Eye Model IPSBUZ & IPSBUSZ: with Fixed Hoisting Eye



Model	Working Load Limit (t)*	Stock No.	Weight Each (kg.)	Dimensions (mm)										
				Jaw A	B	C	D	E	F	G	H	J	K	
IPSBUUZ	4.5	2705771	15.4	HP 100-160	107	252	450	75.0	206	96.0	82.2	36.1	19.8	
IPSBUSUZ	4.5	2705772	38.1	HP 180-430	227	428	635	75.0	377	94.9	128	-	19.8	
IPSBUUZ	9	2705773	43.1	HP 100-160	105	274	491	80.2	248	123	104	44.1	19.8	
IPSBUSUZ	9	2705774	59.0	HP 180-430	227	478	718	80.2	425	118	155	44.1	25.4	
With fixed hoisting eye														
IPSBUZ	4.5	2705721	13.6	HP 100-160	107	252	382	75.0	206	96.0	82.2	-	19.8	
IPSBUSZ	4.5	2705722	35.8	HP 180-430	227	428	592	75.0	377	94.9	128	-	19.8	
IPSBUZ	9	2705723	23.1	HP 100-160	105	274	461	80.2	248	123	104	-	30.2	
IPSBUSZ	9	2705724	68.0	HP 180-430	227	478	672	80.2	425	118	155	44.8	25.4	
IPSBUSZ	15	2705728	64.0	HP 180-430	226	485	690	88.1	401	100	135	44.8	25.4	
IPSBUSZ	22.5	2705730	66.2	HP 180-430	216	550	740	90.1	470	115	180	-	30.2	

* Ultimate load is 5 times the Working Load Limit.

Shipbuilding Clamps: Bulbprofiles

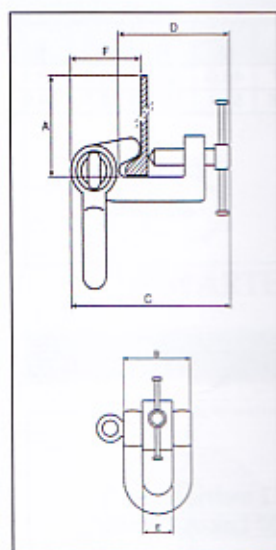
IPBTO10



The IPBTO/10 shipbuilding clamp is used as a temporary tackle eye in spaces which have been reinforced with HP (bulb) profiles such as engine rooms and shipsections. This clamp is fitted with a screwed spindle for easy attachment of the clamp. The moment a load is applied, the clamp is automatically fixed.

For use as a temporary tackle eye in spaces which have been reinforced with HP (bulb) profiles such as engine rooms and shipsections.

- Available in capacities of 1.5 thru 6 metric tons.
- Wide variety of jaw openings available: HP 160mm to HP 430mm.
- Welded alloy steel body for strength and smaller size. Forged alloy components, where required.
- Individually Proof Tested to 2 times the Working Load Limit with certification.
- Company name (IP), logo, Working Load Limit and jaw opening permanently stamped on body.
- Each product is individually serialized, with the serial number and Proof Load test date stamped on body. Serial number is included on the test certificate with maintenance and warranty logbook.
- Maintenance replacement parts are available.
- Manufactured by a ISO 9001 facility.



Model IPBTO10

Model	Working Load Limit (t)*	IPBTO10 Stock No.	Weight Each (kg.)	Dimensions (mm)					
				Jaw A	B	C	D	E	F
IPBTO10	1.5	2700980	4.08	HP 160-240	158	177-195	126-142	75.8	73.0
IPBTO10	3	2700986	5.90	HP 240-320	158	194-214	150-170	75.8	78.2
IPBTO10	6	2700991	13.2	HP 300-430	185	255-297	195-236	98.0	102

* Ultimate load is 5 times the Working Load Limit.

Crosby IP Clamps - Misc.

IPSC

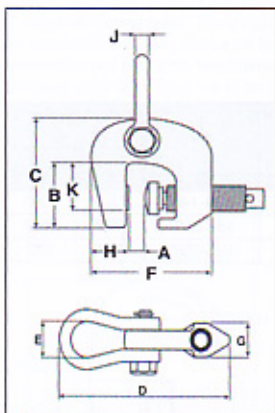


The IPSC screw style clamp is for positioning, pulling and turning of plate or fabrications.

**Suitable for use in positioning & turning of steel plates and sections.
Not to be used as a lifting clamp.**

- Available in capacities of 1.5 and 3 metric tons.
- Jaw openings available: 0 to 51mm.
- Suitable for steel with a surface hardness up to 30 Rc.
- Forged alloy steel body for strength and smaller size. Forged alloy components, where required.
- Individually Proof Tested to 2 times the Working Load Limit with certification.
- Company name (IP), logo, Working Load Limit and jaw opening permanently stamped on body.
- Each product is individually serialized, with the serial number and Proof Load test date stamped on body. Serial number is included on the test certificate with maintenance and warranty logbook.
- Maintenance replacement parts are available.
- Manufactured by a ISO 9001 facility.

Model IPSC



Model	Working Load Limit (t)*	IPSC Stock No.	Weight Each (kg.)	Dimensions (mm)									
				Jaw A	B	C	D	E	F	G	H	J	K
IPSC	1.5	2701640	4.54	0 - 32	90.9	143	229	45.0	157	46.0	52.1	16.0	52.1
IPSC	3	2701641	5.90	0 - 51	105	165	265	50.0	37.6	54.1	59.2	19.1	59.9

* Ultimate load is 5 times the Working Load Limit.

IP5000

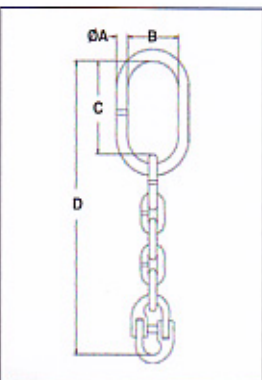


- Provides easy attachment of selected Crosby® IP clamp to hoist hook.
- Available in three sizes in the IP10 and IPU10 with capacities from .5 to 12 metric tons.
- Assembly consists of welded alloy master link, Grade 80 chain and A-1337 Lok-A-Loy for attachment to the clamp hoisting eye.
- Individually Proof Tested to 2.5 times the Working Load Limit of Grade 80 chain with certification.
- Company name or logo and frame number permanently stamped on link.
- Locking system provides for simple assembly - no special tools needed.
- Finish - Red Paint
- Manufactured by an ISO 9001 facility.

NOTE: Not intended to be used as a chain sling.

The IP5000 Stinger Assembly is designed to be used as a connecting link between the clamp and the hoist hook.

Model IP5000



Frame Size	Chain Size		Crosby® IP10 and IPU10 Clamp Sizes (t)*	IP5000 Stock No.	Weight Each (kg.)	Dimensions (mm)			
	(mm)	(in.)				A	B	C	D
1	8	5/16	.5 - 1	2701695	0.95	13.0	59.9	100	315
2	13	1/2	2 - 4.5	2701704	3.40	22.1	89.9	144	484
3	22	7/8	6 - 12	2701713	14.7	36.1	140	234	820

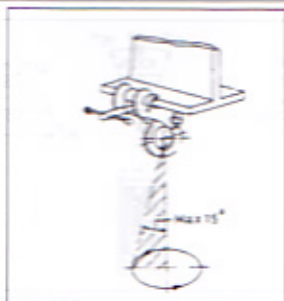
* The working load of the assembly is based on working load limit of the selected clamp.

Crosby IP Lifting Clamps - Application Information

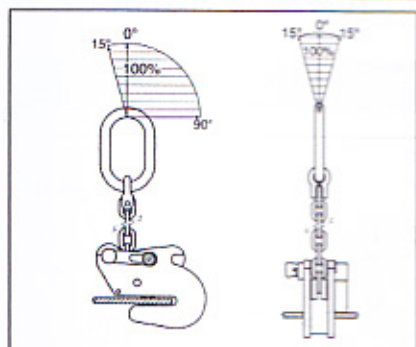
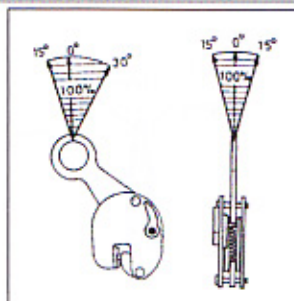
Application Information provided here is for use by experienced trained user of lifting clamps. For additional information, consult Crosby IP clamp operators manual provided with clamp, or contact The Crosby Group, Inc.

Beam Clamps

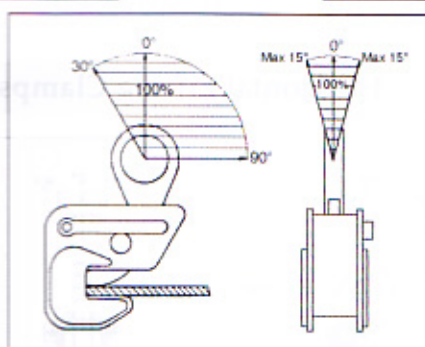
IPTK



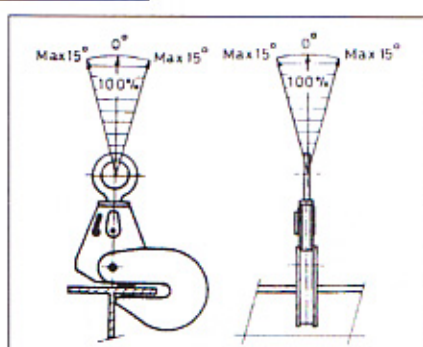
IPBKZ



IPSTARTEC11

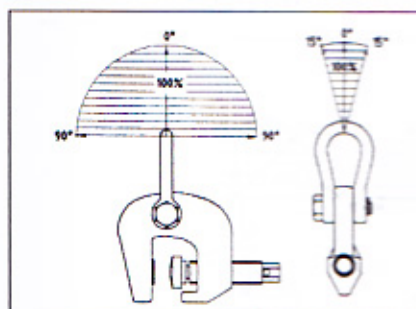


IPBHZ

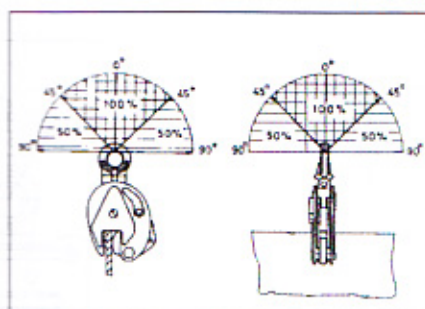


IPBSNZ

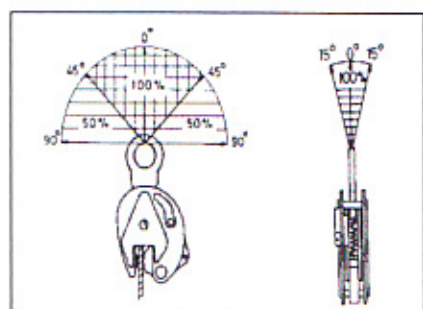
Specialty Clamps



IPSC

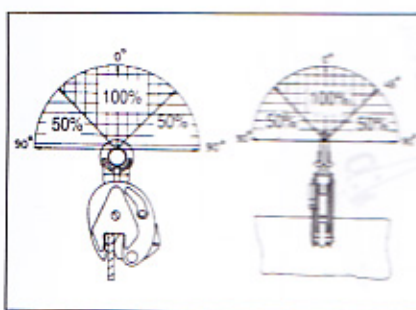


IPVUZ

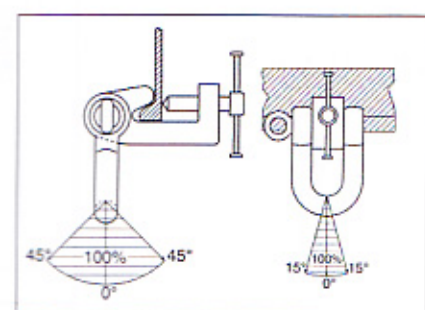


IPVZ

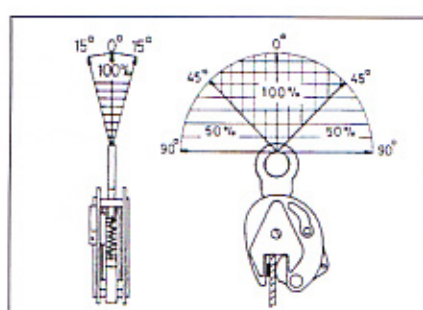
Shipbuilding Clamps



IPSBU(U)Z



IPBT010

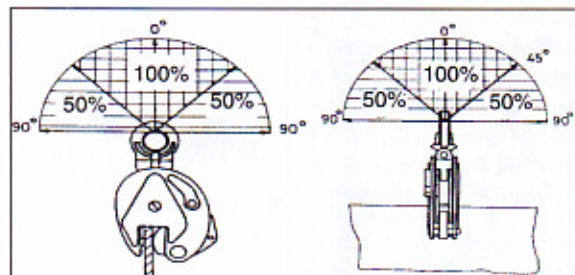


IPBU(U)Z

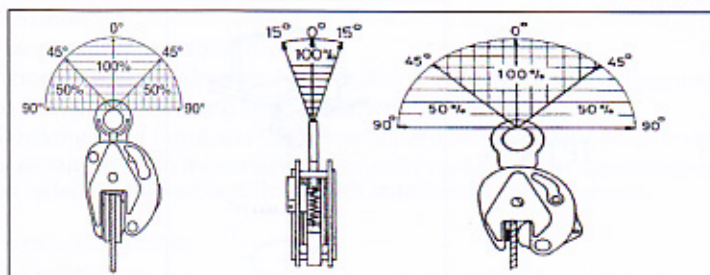
Crosby IP Lifting Clamps - Application Information

Application Information provided here is for use by experienced trained user of lifting clamps. For additional information, consult Crosby IP clamp operators manual provided with clamp, or contact The Crosby Group, Inc.

Vertical Lifting Clamps



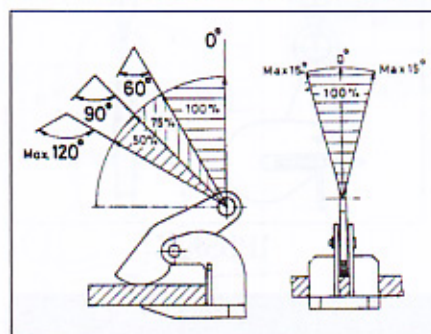
IPU10



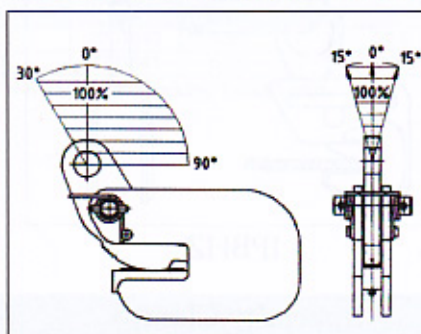
IPNM

IP10/IPBUZ/IPBUUZ

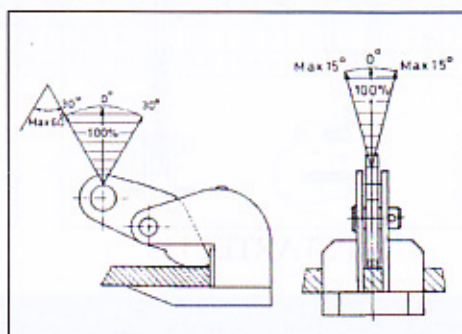
Horizontal Lifting Clamps



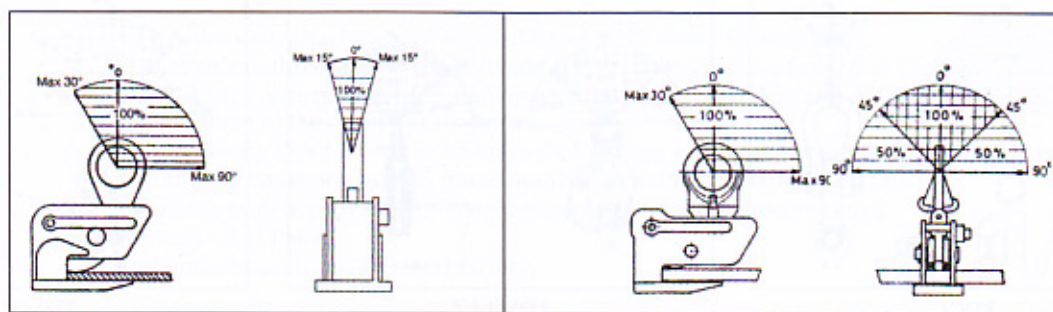
IPHTONZ/IPHNM10/IPH10



IPBC



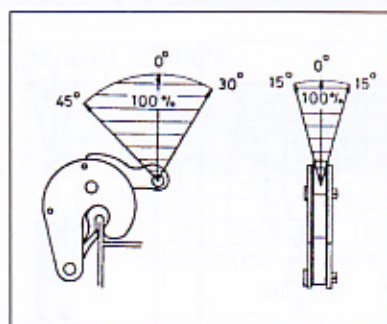
IPHOZ



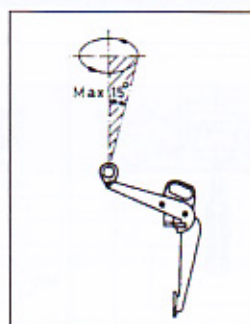
IPHGZ

IPHGUZ

Drum Clamps



IPVK



IPDV